



AVAILABLE ATTACHMENTS & ACCESSORIES

Attachments

99944200004 i-Start Kit

PARTS CATALOG
HC-150i HEDGE
CLIPPER

21.2cc

MODEL: SERIAL NUMBERS

HC-150i: S/N 05001001 - 05999999

ECHO, INCORPORATED

400 Oakwood Road Lake Zurich, Illinois 60047 USA

WWW.ECHO-USA.COM



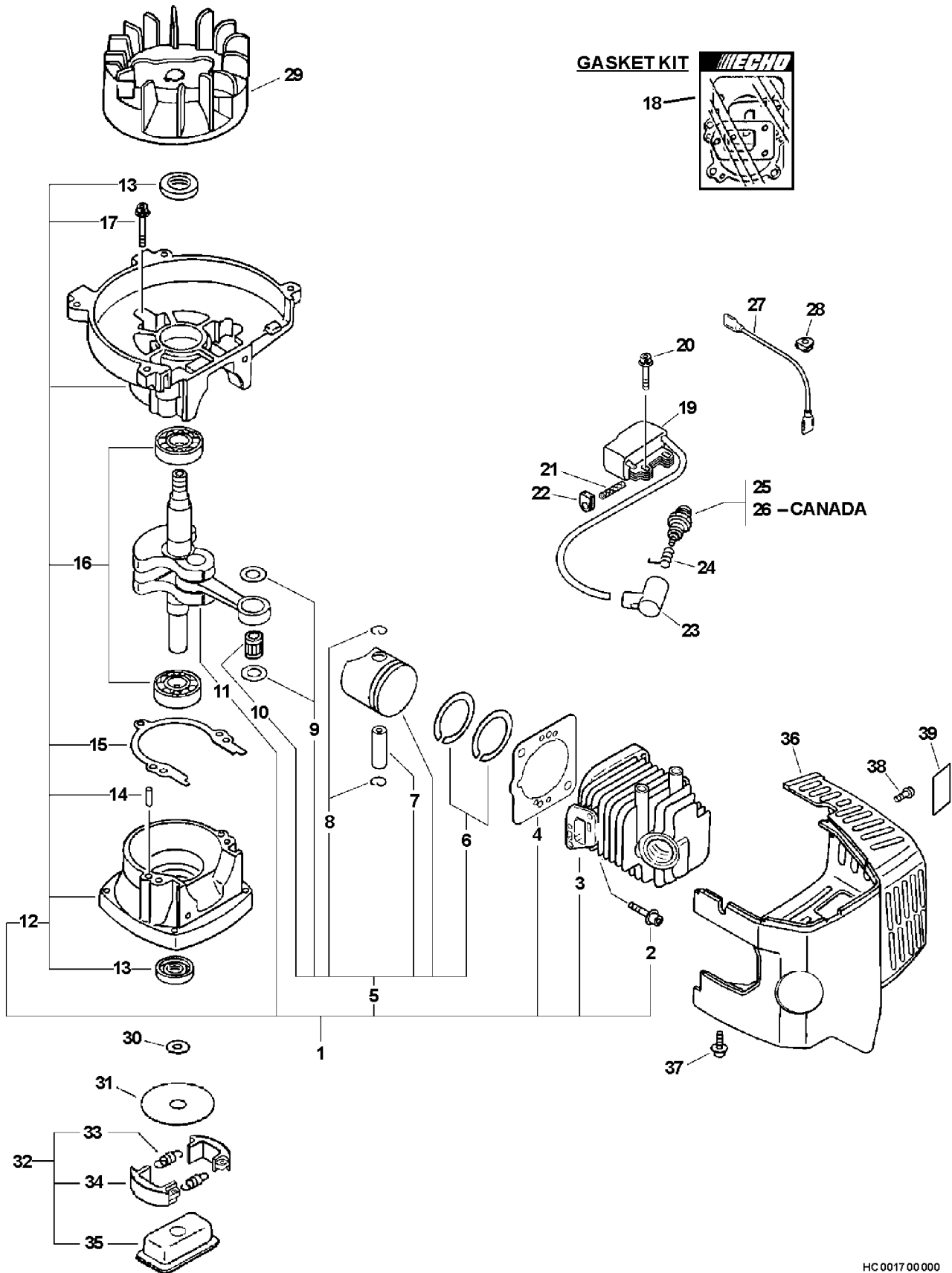
Table of Contents

Click Any Diagram Description Below To View That Diagram.

HC-150i S/N 05001001 - 05999999

Engine, Short Block, Ignition, Clutch, Cylinder Cover.....	4
i-starter.....	6
Fuel System.....	8
Intake.....	10
Carburetor - RB-K66B 05001001 - 05005681.....	12
Carburetor - RB-K70 05005682 - 05999999.....	14
Exhaust.....	16
Handle, Ignition Switch, Throttle Cable.....	18
Cutters, Gear Case, Tools.....	20
Part Number Index.....	22
Part Description Index.....	23
Service Publications.....	3

This Intentionally Left Blank

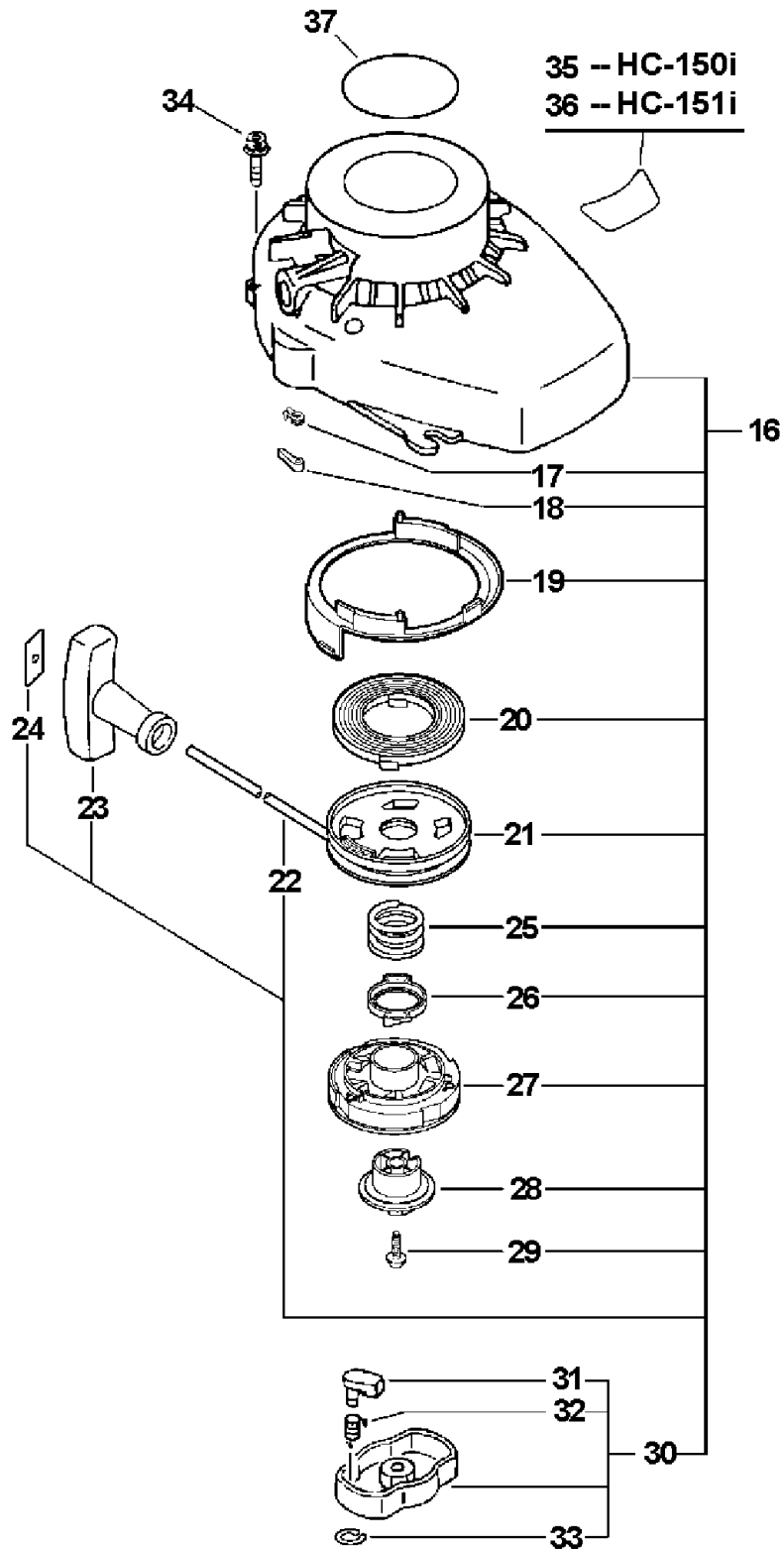


HC001700000

ITEM	PART NUMBER	QTY	DESCRIPTION	REMARKS
1	SB1067	1	SHORT BLOCK	INCLUDES ITEM 2-17
2	90016205022	2	BOLT 5X22	
3	A130000420	1	CYLINDER	
4	V100000080	1	GASKET, CYLINDER ¹	
5	P021001111	1	PISTON KIT	INCLUDES ITEMS 6-10
6	A101000000	2	RING, PISTON	
7	10001311520	1	PIN, PISTON	
8	10001504630	2	CIRCLIP, PISTON PIN	
9	10001408960	2	SPACER, PISTON PIN	
10	10011305930	1	BEARING, NEEDLE	
11	A011000230	1	CRANKSHAFT ASY	
12	-----	1	CRANKCASE KIT	INCLUDES ITEMS 13-17
13	10021242030	2	OIL SEAL	
14	10021503930	2	DOWEL PIN	
15	10024242030	1	GASKET, CRANKCASE ¹	
16	9403536201	2	BEARING, BALL	
17	90016205028	3	BOLT 5X28	
18	P021004710	1	GASKET KIT	
19	A411000120	1	COIL, IGNITION	
20	90016204020	2	BOLT 4X20	
21	V475002200	1	TUBE	
22	15611004920	1	BUSHING	
23	15901201620	1	CAP, SPARK PLUG	
24	15901103432	1	TERMINAL, SPARK PLUG CAP	
25	15901019830	1	SPARK PLUG -- BPM-8Y	
26	A425000000	1	SPARK PLUG -- BPMR-8Y	CANADA MODELS
27	16202152830	1	LEAD, IGNITION	
28	15611404920	1	GROMMET	
29	A409000150	1	FLYWHEEL	
30	17501405360	1	WASHER, CLUTCH	
31	17501904920	1	PLATE, CLUTCH	
32	17500006560	1	CLUTCH ASY	INCLUDES ITEMS 33-35
33	17501805960	2	SPRING, CLUTCH	
34	17500905131	2	SHOE, CLUTCH	
35	17501604920	1	HUB, CLUTCH	
36	A160000151	1	COVER, CYLINDER	
37	90016204020	2	BOLT 4X20	
38	9110704008	1	SCREW 4X8	
39	89016006361	1	LABEL, CAUTION - HOT	

Footnotes

1: Also Included In GASKET KIT

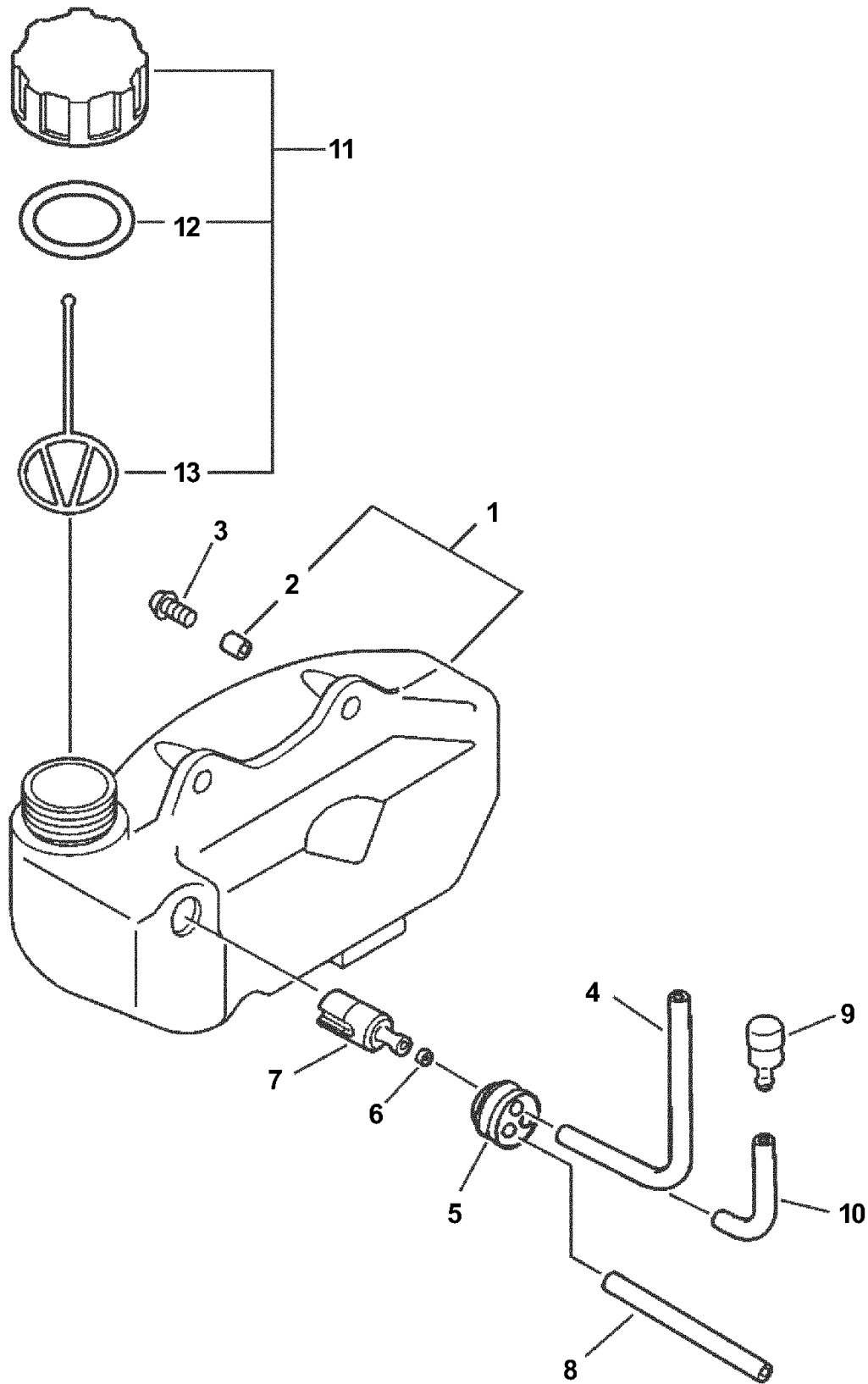


HC 0020 00 000

ITEM	PART NUMBER	QTY	DESCRIPTION	REMARKS
16	99944200004	1	STARTER ASY	
17	P022004610	2	SPRING, PAWL RETURN	
18	P022004620	2	PAWL, STARTER	
19	P022006500	1	CASE, STARTER	
20	P022004680	1	SPRING, REWIND	
21	P022004690	1	DRUM, STARTER	
22	P022004600	1	ROPE, STARTER - 3X 800mm ¹	
23	P022004990	1	GRIP, STARTER	
24	17724611120	1	CLIP, ROPE	
25	P022004660	1	SPRING, RETURN	
26	P022004670	1	PAWL, STARTER	
27	P022004700	1	SPRING ASY	
28	P022004640	1	PLATE, CAM	
29	P022004630	1	SCREW	
30	A052000150	1	STARTER PAWL ASY	INCLUDES ITEMS 31-33
31	P022004740	2	PAWL, STARTER	
32	P022006510	2	SPRING, PAWL RETURN	
33	P022002100	2	E-RING	
34	90016304016	4	BOLT 4X16	
35	X503004480	1	LABEL, MODEL -- HC-150i	
36	X503004560	1	LABEL, MODEL -- HC-151i	
37	X502000032	1	LABEL, i-START	

Footnotes

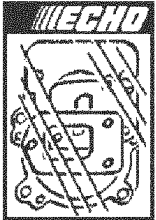
1: BULK OPTION: 99944444000



ITEM	PART NUMBER	QTY	DESCRIPTION	REMARKS
1	A350000041	1	TANK, FUEL	INCLUDES ITEM 2
2	13104528230	2	SPACER	
3	90027505015	2	SCREW 5X15	
4	13201007530	1	PIPE, FUEL - 3X5X195mm ¹	3X5X195mm BULK OPTION: 90014
5	V1370000030	1	GROMMET, FUEL	
6	13201309820	1	CLIP	
7	13120507320	1	STRAINER, FUEL	
8	13201006460	1	PIPE, RETURN - 3X6X110mm ²	3X6X110mm BULK OPTION: 90017
9	A3560000030	1	VALVE, CHECK	
10	13131239130	1	PIPE , VENT - 3X5X70mm ¹	3X5X70mm BULK OPTION: 90014
11	13100455530	1	FUEL TANK CAP ASY	INCLUDES ITEM 12-13
12	13101655830	1	GASKET, FUEL CAP	
13	13105156030	1	CONNECTOR, FUEL CAP	

Footnotes

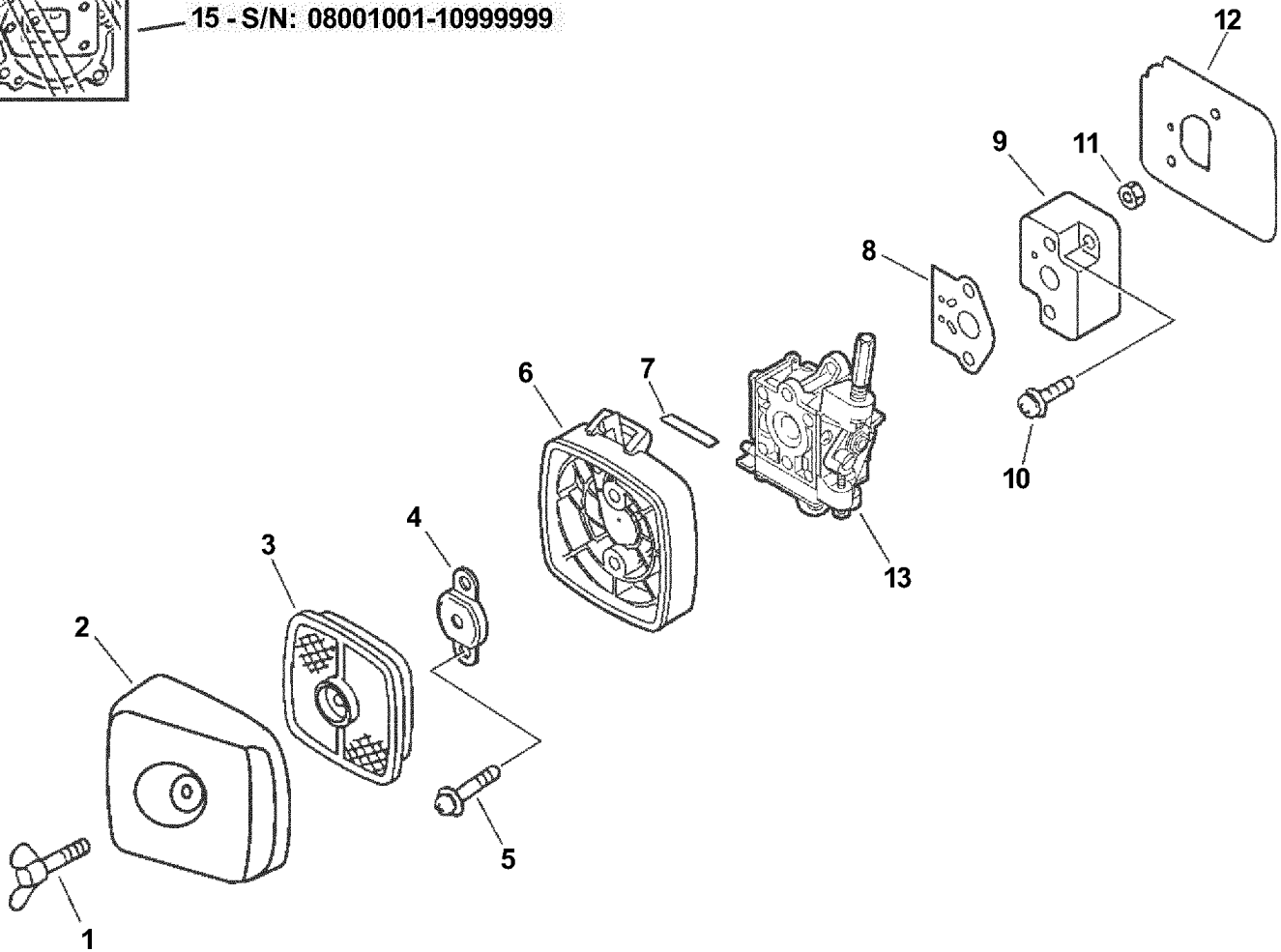
- 1: BULK OPTION: 90014
- 2: BULK OPTION: 90017



GASKET KIT

14 - S/N: 05001001-07999999

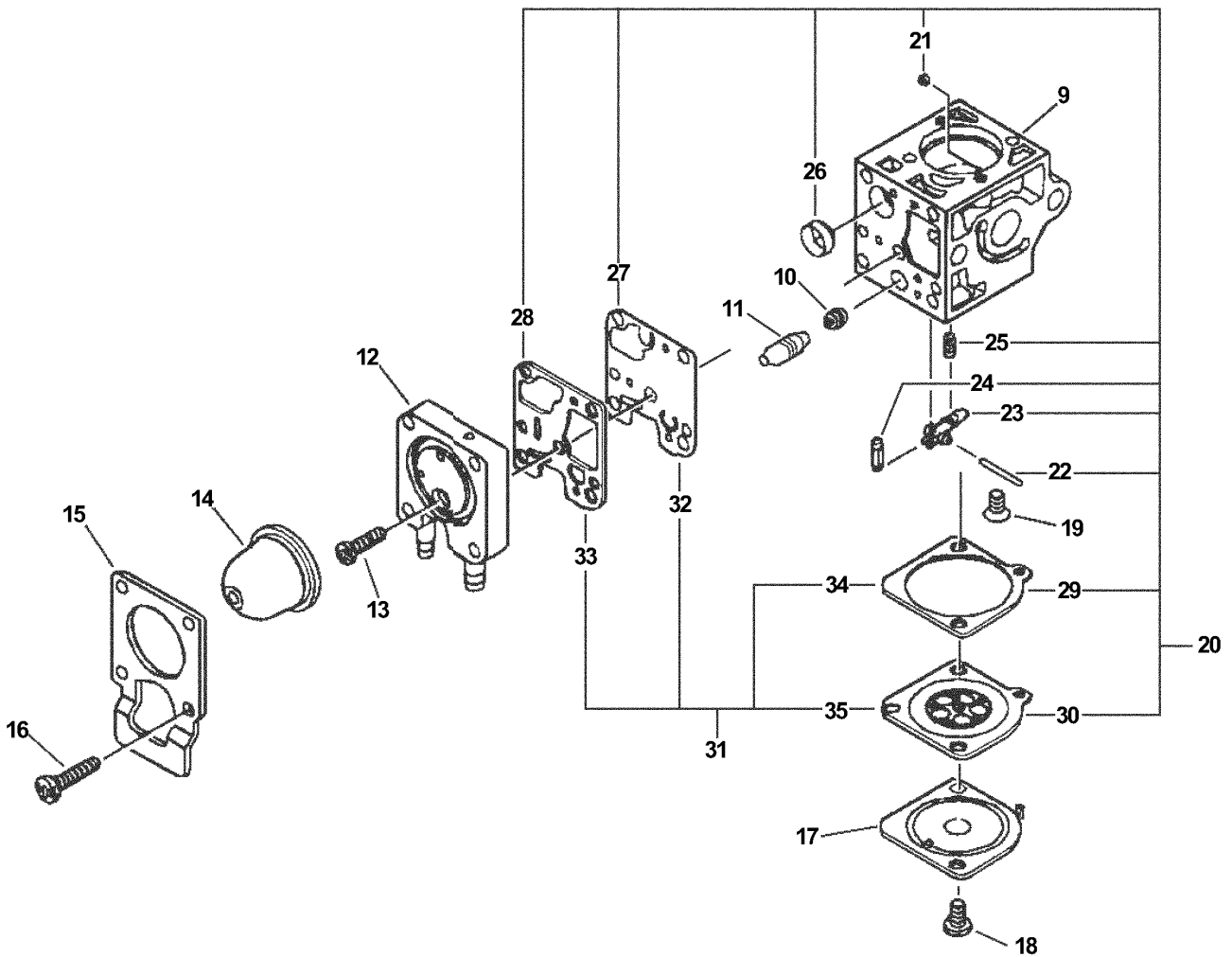
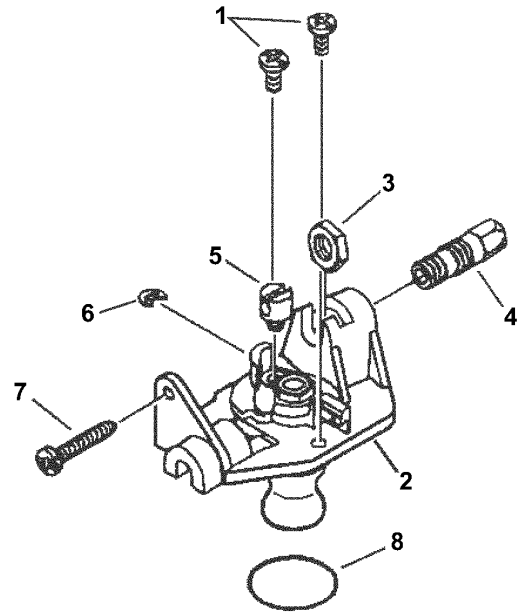
15 - S/N: 08001001-10999999



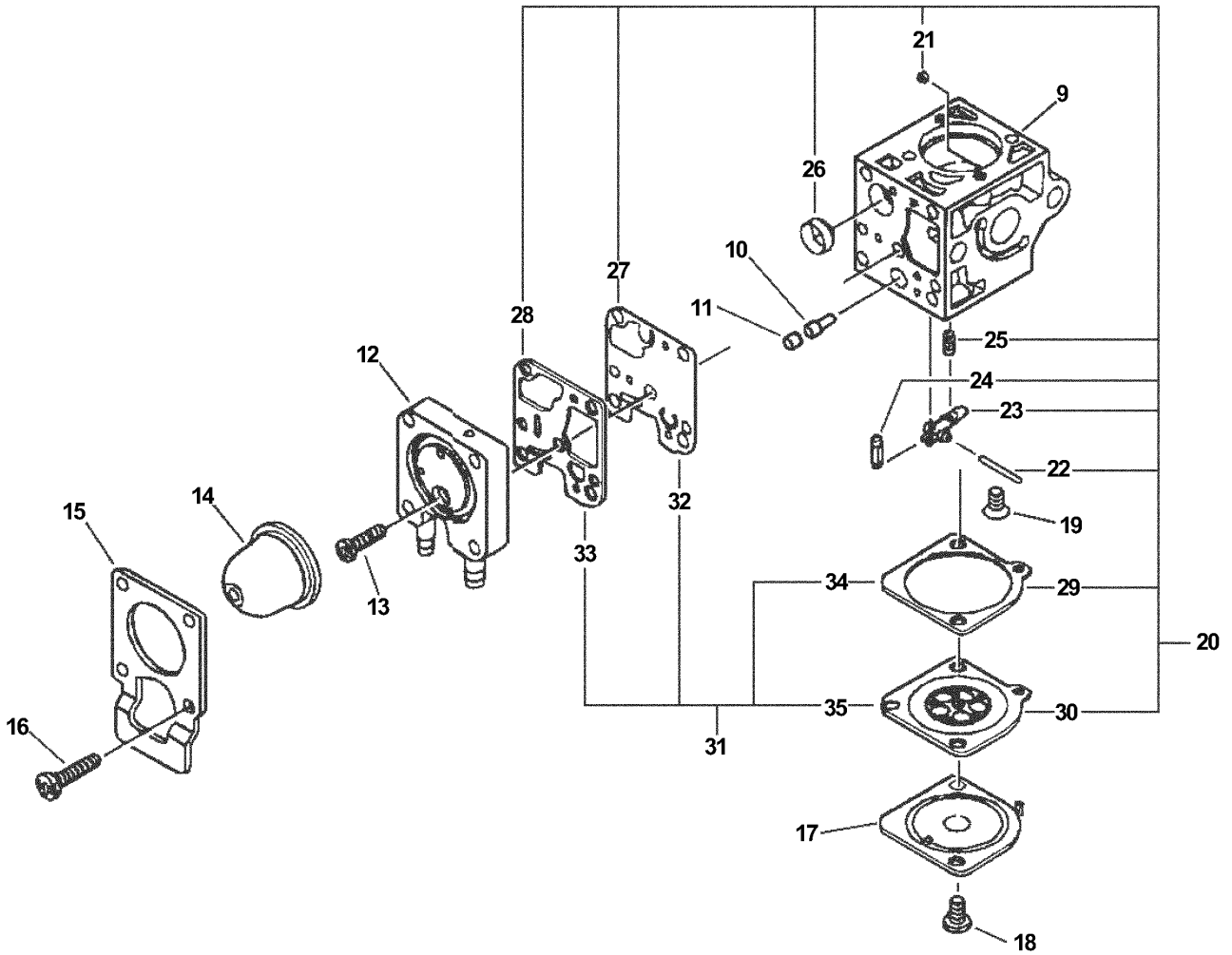
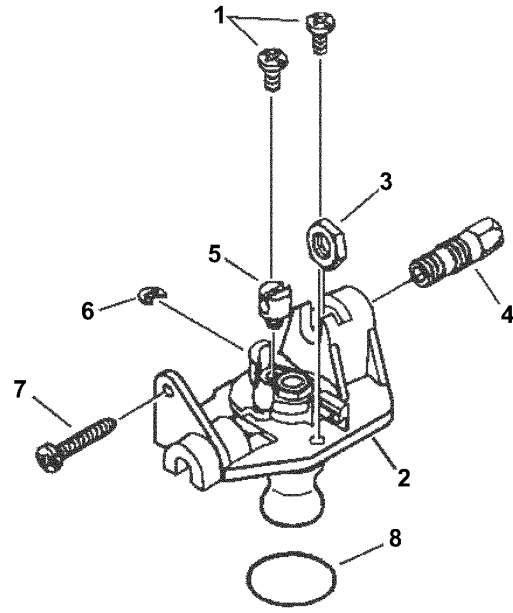
HC-150i HEDGE CLIPPER

Intake

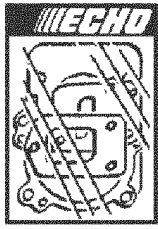
ITEM	PART NUMBER	QTY	DESCRIPTION	REMARKS
1	21041752730	1	BOLT, WING	
2	13031306563	1	LID, AIR CLEANER	
3	13031054130	1	FILTER, AIR	
4	12901152730	1	PLATE, PREVENT	
5	90022005065	2	SCREW 5X65	
6	P021000991	1	CASE, AIR CLEANER	
7	89012152730	1	LABEL, CHOKE	
8	13001013410	1	GASKET, INTAKE	Also Included In GASKET KIT
9	13001744330	1	INSULATOR, INTAKE	
10	90023805020	2	SCREW 5X20	
11	90050000005	2	NUT 5	
12	13001042032	1	SHIELD, INTAKE	Also Included In GASKET KIT
13	-----	1	CARBURETOR	See Carburetor Diagrams for Model and Serial Number Applications
14	P021004710	1	GASKET KIT	
15	P021008560	1	GASKET KIT	



ITEM	PART NUMBER	QTY	DESCRIPTION	REMARKS
	A021000382	1	CARBURETOR -- RB-K66B	SUPERSEDES: CARBURETOR -- RB-K66; CARBURETOR -- RB-K66A
1	12534413931	3	SCREW, ROTOR COVER ASY	
2	P005000690	1	ROTOR COVER ASY	
3	P005000120	1	NUT, CABLE	
4	P005000700	1	SCREW, CABLE ADJUST	
5	P005000180	1	SWIVEL	
6	P005000190	1	E-RING	
7	P005000100	1	SCREW, THROTTLE ADJUST	
8	P005000280	1	O-RING	
9	-----	1	BODY, CARBURETOR	NOT AVAILABLE SEPARATELY
10	P005000570	1	JET	
11	P005000370	1	PLUG KIT	
12	P005000930	1	PRIMER BASE ASY	
13	P005000270	1	SCREW, PRIMER BASE ASY	
14	12538108660	1	PUMP, PRIMING	
15	P005000250	1	RETAINER, PRIMING PUMP	
16	12531061830	4	SCREW, PRIMING PUMP RETAINER	
17	12534252130	1	COVER, DIAPHRAGM	
18	12534452130	2	SCREW, DIAPHRAGM COVER	
19	12533942030	1	SCREW, METERING LEVER PIN	
20	P005000950	1	REPAIR KIT	INCLUDES ITEMS 21-30
21	P005001000	1	ROLLER, GUIDE	
22	-----	1	PIN, METERING LEVER	
23	-----	1	LEVER, METERING	
24	-----	1	VALVE, INLET NEEDLE	
25	-----	1	SPRING, METERING LEVER	
26	-----	1	STRAINER	
27	-----	1	DIAPHRAGM, PUMP	
28	-----	1	GASKET, PUMP	
29	-----	1	GASKET, METERING	
30	-----	1	DIAPHRAGM, METERING	
31	P005000550	1	DIAPHRAGM/GASKET KIT	INCLUDES ITEMS 32-35
32	-----	1	DIAPHRAGM, PUMP	
33	-----	1	GASKET, PUMP	
34	-----	1	GASKET, METERING	
35	-----	1	DIAPHRAGM, METERING	



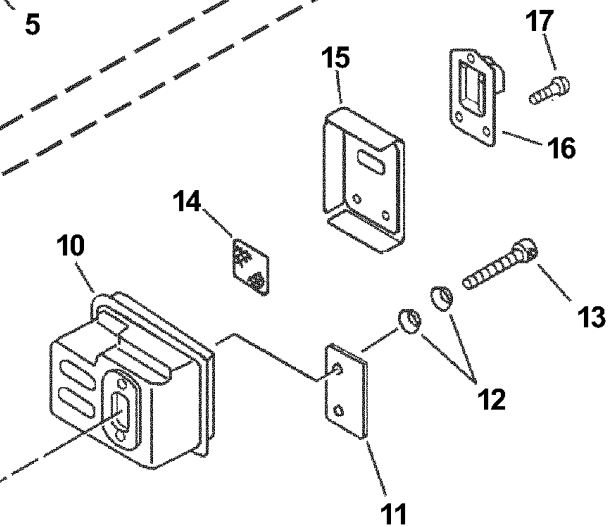
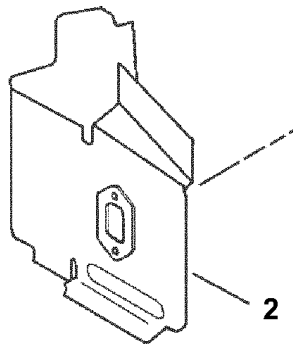
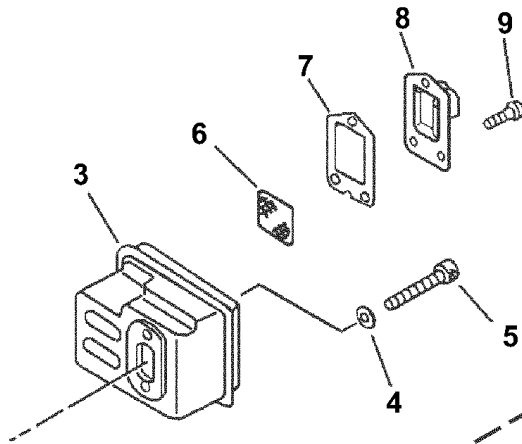
ITEM	PART NUMBER	QTY	DESCRIPTION	REMARKS
	A021000720	1	CARBURETOR -- RB-K70	
1	12534413931	3	SCREW, ROTOR COVER ASY	
2	P005001230	1	ROTOR COVER ASY	
3	P005000120	1	NUT, CABLE	
4	P005000700	1	SCREW, CABLE ADJUST	
5	P005001240	1	SWIVEL	
6	P005000190	1	E-RING	
7	P005000100	1	SCREW, THROTTLE ADJUST	
8	P005000280	1	O-RING	
9	-----	1	BODY, CARBURETOR	NOT AVAILABLE SEPARATELY
10	P005001260	1	NEEDLE - HIGH SPEED	
11	P005001270	1	PLUG	
12	P005000930	1	PRIMER BASE ASY	
13	P005000270	1	SCREW, PRIMER BASE ASY	
14	12538108660	1	PUMP, PRIMING	
15	P005000250	1	RETAINER, PRIMING PUMP	
16	12531061830	4	SCREW, PRIMING PUMP RETAINER	
17	12534252130	1	COVER, DIAPHRAGM	
18	12534452130	2	SCREW, DIAPHRAGM COVER	
19	12533942030	1	SCREW, METERING LEVER PIN	
20	P005000950	1	REPAIR KIT	INCLUDES ITEMS 21-30
21	P005001000	1	ROLLER, GUIDE	
22	-----	1	PIN, METERING LEVER	
23	-----	1	LEVER, METERING	
24	-----	1	VALVE, INLET NEEDLE	
25	-----	1	SPRING, METERING LEVER	
26	-----	1	STRAINER	
27	-----	1	DIAPHRAGM, PUMP	
28	-----	1	GASKET, PUMP	
29	-----	1	GASKET, METERING	
30	-----	1	DIAPHRAGM, METERING	
31	P005000550	1	DIAPHRAGM/GASKET KIT	INCLUDES ITEMS 32-35
32	-----	1	DIAPHRAGM, PUMP	
33	-----	1	GASKET, PUMP	
34	-----	1	GASKET, METERING	
35	-----	1	DIAPHRAGM, METERING	



GASKET KIT

1

MODELS HC-150, HC-150i
SERIAL NUMBERS: 05001001-05999999
& 07001001-07999999

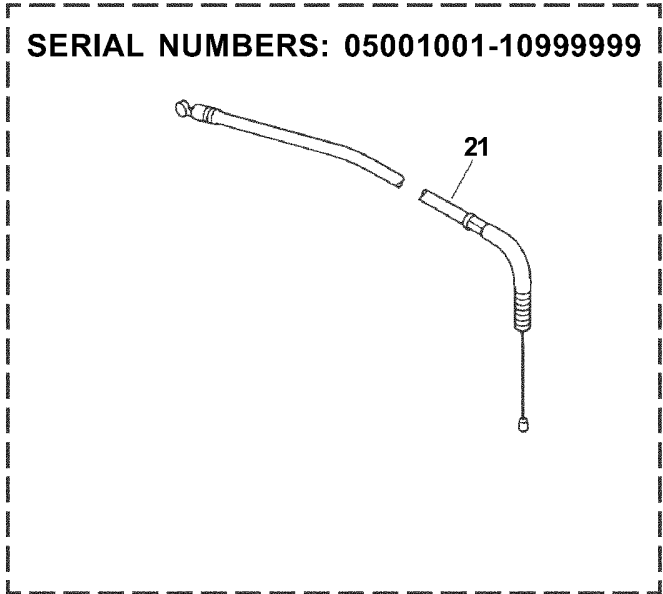
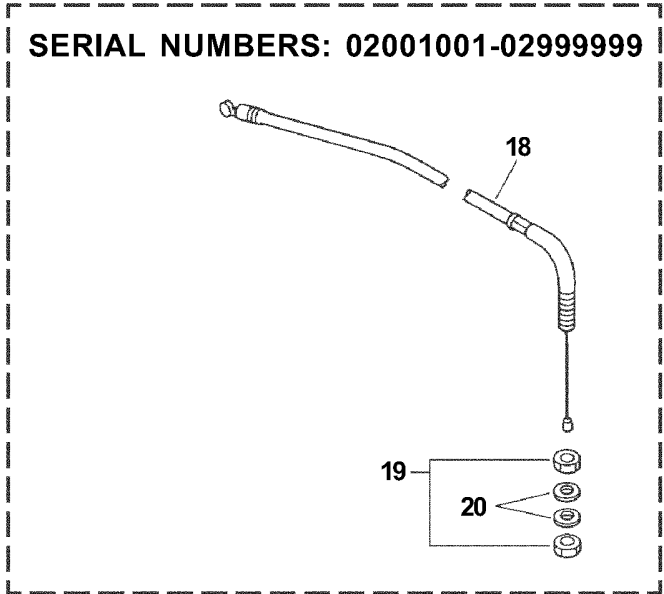
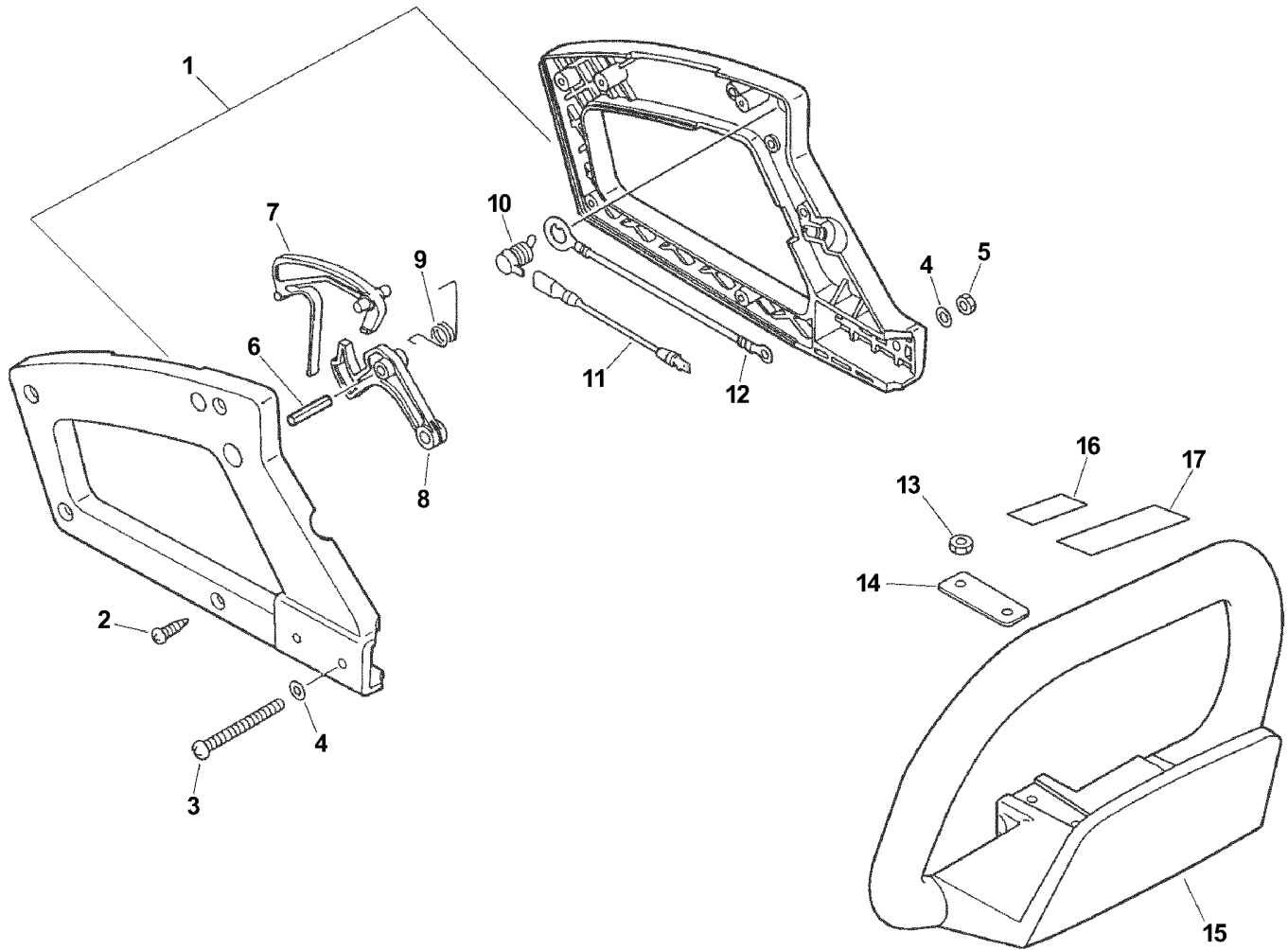


MODELS HC-151, HC-151i
SERIAL NUMBERS: 06001001-06999999

ITEM	PART NUMBER	QTY	DESCRIPTION	REMARKS
1	P021004710	1	GASKET KIT	
2	V104000410	1	SHIELD, EXHAUST ¹	
3	14581011520	1	MUFFLER	
4	90060000005	2	WASHER 5	
5	90010505050	2	BOLT 5X50	
6	14586240630	1	SCREEN, MUFFLER	
7	14586642031	1	GASKET, EXHAUST ¹	
8	A313000410	1	GUIDE, EXHAUST	
9	90024204010	3	SCREW 4X10	
10	A300000080	1	MUFFLER	
11	V150000371	1	PLATE, EYE	
12	V347000000	4	WASHER, CONICAL	
13	90010505055	2	BOLT 5X55	
14	14586240630	1	SCREEN, MUFFLER	
15	V104000370	1	GASKET, EXHAUST ¹	
16	A313000090	1	GUIDE, EXHAUST	
17	9136704010	3	SCREW	

Footnotes

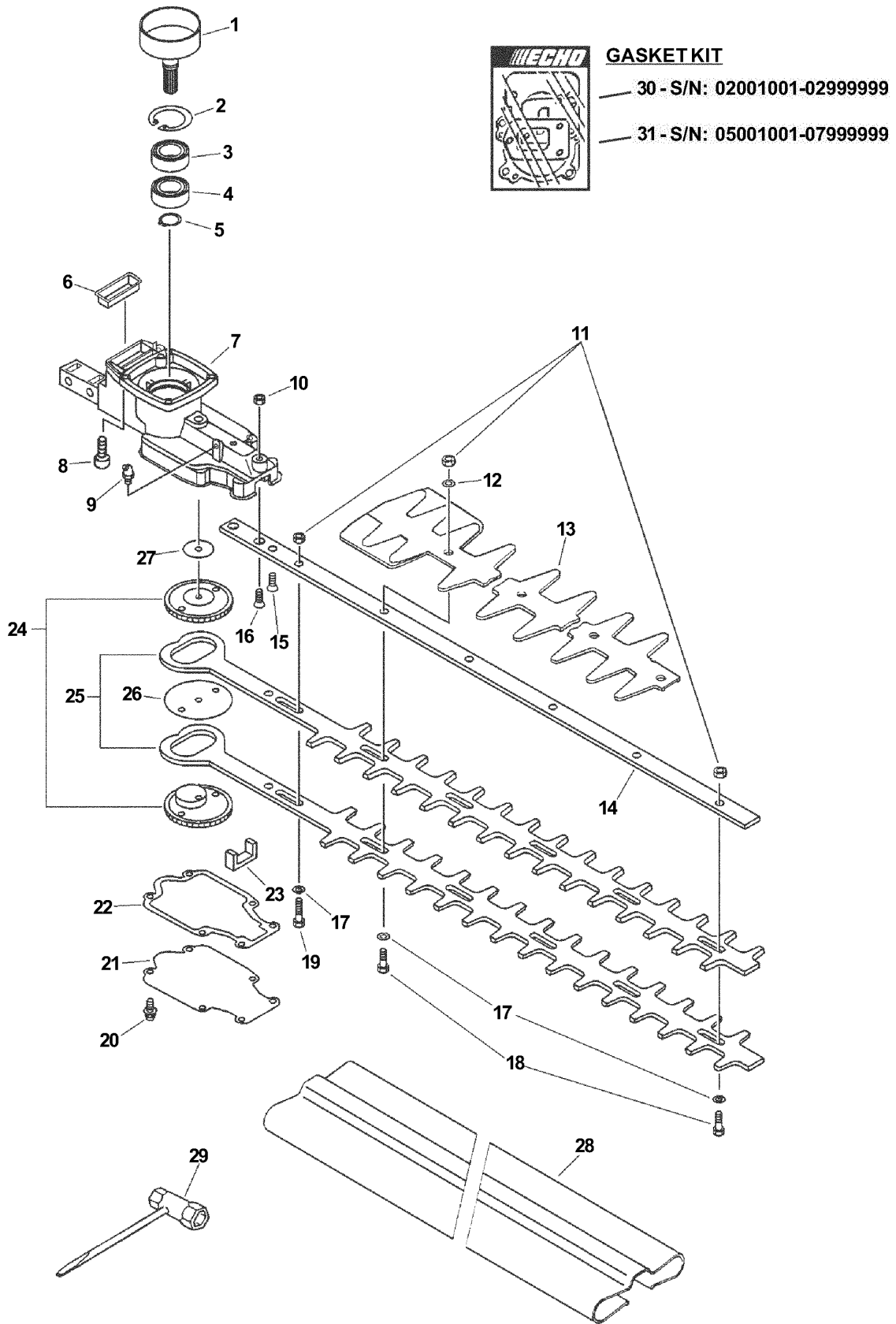
¹: Also Included In GASKET KIT



HC-150i HEDGE CLIPPER

Handle, Ignition Switch, Throttle Cable

ITEM	PART NUMBER	QTY	DESCRIPTION	REMARKS
1	35110006560	1	REAR HANDLE SET	
2	90025504016	5	SCREW 4X16	
3	90022005047	2	SCREW 5X47	
4	90060000005	4	WASHER 5	
5	90056000005	1	LOCKNUT	
6	90034250025	1	SPRING PIN 5X25	
7	17809006560	1	LOCKOUT, THROTTLE CONTROL	
8	17801006560	1	CONTROL, THROTTLE	
9	17804315130	1	SPRING, THROTTLE RETURN	
10	16340003460	1	SWITCH, IGNITION	
11	V485000090	1	LEAD, IGNITION	
12	V485000080	1	LEAD, GROUND	
13	90056000005	2	LOCKNUT	
14	35161105360	1	WASHER	
15	35161005360	1	HANDLE, FRONT	
16	X505000290	1	LABEL, CAUTION	
17	X505000270	1	LABEL, CAUTION	
18	V430000110	1	CABLE, THROTTLE	
19	90050200006	2	NUT 6	
20	90060000006	2	WASHER 6	
21	V430000650	1	CABLE, THROTTLE	



ITEM	PART NUMBER	QTY	DESCRIPTION	REMARKS
1	17500506560	1	DRUM, CLUTCH	
2	90070200035	1	CIRCLIP 35	
3	90087236202	1	BEARING, BALL	
4	90087036202	1	BEARING, BALL	
5	90070100014	1	CIRCLIP 14	
6	13192061830	1	CUSHION, FUEL TANK	
7	C531000050	1	CASE, GEAR	
8	90016304016	2	BOLT 4X16	
9	88011054230	1	NIPPLE, GREASE	
10	90050000006	2	NUT 6	
11	43302206460	6	NUT	
12	69911804560	4	WASHER	
13	69912503060	1	BLUNT	
14	X425000010	1	SUPPORT, CUTTER	
15	90021205030	1	SCREW 5X30	
16	90021206030	2	SCREW	
17	69911804560	6	WASHER	
18	69911504660	5	BOLT 6	
19	69911506560	1	BOLT, CUTTER	
20	90016204012	6	BOLT 4X12	
21	61041106560	1	LID, GEAR CASE	
22	61041406560	1	GASKET, GEAR HOUSING ¹	
23	61042606560	1	SEAL	
24	V650000250	2	GEAR, SPUR	
25	X411000020	2	CUTTER	
26	68902505360	1	WASHER	
27	68902506560	1	WASHER	
28	X495000010	1	COVER, BLADE	
29	89541006960	1	WRENCH, W/SCREWDRIVER	
30	P021001610	1	GASKET KIT	
31	P021004710	1	GASKET KIT	

Footnotes

1: Also Included In GASKET KIT for SERIAL NUMBERS: 02001001-07999999 ONLY



Part Number Index

Click The Page Number After Any Part Number To View The Diagram Containing That Part.

Part Number	Page	Part Number	Page	Part Number	Page
-----	5, 11, 13, 15	90016205022	5	P022004670	7
10001311520	5	90016205028	5	P022004680	7
10001408960	5	90016304016	7, 21	P022004690	7
10001504630	5	90021205030	21	P022004700	7
10011305930	5	90021206030	21	P022004740	7
10021242030	5	90022005047	19	P022004990	7
10021503930	5	90022005065	11	P022006500	7
10024242030	5	90023805020	11	P022006510	7
12531061830	13, 15	90024204010	17	SB1067	5
12533942030	13, 15	90025504016	19	V10000080	5
12534252130	13, 15	90027505015	9	V104000370	17
12534413931	13, 15	90034250025	19	V104000410	17
12534452130	13, 15	90050000005	11	V137000030	9
12538108660	13, 15	90050000006	21	V150000371	17
12901152730	11	90050200006	19	V347000000	17
13001013410	11	90056000005	19	V430000110	19
13001042032	11	90060000005	17, 19	V430000650	19
13001744330	11	90060000006	19	V475002200	5
13031054130	11	90070100014	21	V485000080	19
13031306563	11	90070200035	21	V485000090	19
13100455530	9	90087036202	21	V650000250	21
13101655830	9	90087236202	21	X411000020	21
13104528230	9	9110704008	5	X425000010	21
13105156030	9	9136704010	17	X495000010	21
13120507320	9	9403536201	5	X502000032	7
13131239130	9	99944200004	7	X503004480	7
13192061830	21	A011000230	5	X503004560	7
13201006460	9	A021000382	13	X505000270	19
13201007530	9	A021000720	15	X505000290	19
13201309820	9	A052000150	7		
14581011520	17	A101000000	5		
14586240630	17	A130000420	5		
14586642031	17	A160000151	5		
15611004920	5	A300000080	17		
15611404920	5	A313000090	17		
15901019830	5	A313000410	17		
15901103432	5	A350000041	9		
15901201620	5	A356000030	9		
16202152830	5	A409000150	5		
16340003460	19	A411000120	5		
17500006560	5	A425000000	5		
17500506560	21	C531000050	21		
17500905131	5	P005000100	13, 15		
17501405360	5	P005000120	13, 15		
17501604920	5	P005000180	13		
17501805960	5	P005000190	13, 15		
17501904920	5	P005000250	13, 15		
17724611120	7	P005000270	13, 15		
17801006560	19	P005000280	13, 15		
17804315130	19	P005000370	13		
17809006560	19	P005000550	13, 15		
21041752730	11	P005000570	13		
35110006560	19	P005000690	13		
35161005360	19	P005000700	13, 15		
35161105360	19	P005000930	13, 15		
43302206460	21	P005000950	13, 15		
61041106560	21	P005001000	13, 15		
61041406560	21	P005001230	15		
61042606560	21	P005001240	15		
68902505360	21	P005001260	15		
68902506560	21	P005001270	15		
69911504660	21	P021000991	11		
69911506560	21	P021001111	5		
69911804560	21	P021001610	21		
69912503060	21	P021004710	5, 11, 17, 21		
88011054230	21	P021008560	11		
89012152730	11	P022002100	7		
89016006361	5	P022004600	7		
89541006960	21	P022004610	7		
90010505050	17	P022004620	7		
90010505055	17	P022004630	7		
90016204012	21	P022004640	7		
90016204020	5	P022004660	7		



Part Description Index

Click The Page Number After Any Part Description To View The Diagram Containing That Part.

B

BEARING, BALL.....5, 21
 BEARING, NEEDLE.....5
 BLUNT.....21
 BODY, CARBURETOR.....13, 15
 BOLT 4X12.....21
 BOLT 4X16.....7, 21
 BOLT 4X20.....5
 BOLT 5X22.....5
 BOLT 5X28.....5
 BOLT 5X50.....17
 BOLT 5X55.....17
 BOLT 6.....21
 BOLT, CUTTER.....21
 BOLT, WING.....11
 BUSHING.....5

C

CABLE, THROTTLE.....19
 CAP, SPARK PLUG.....5
 CARBURETOR.....11
 CARBURETOR -- RB-K66B.....13
 CARBURETOR -- RB-K70.....15
 CASE, AIR CLEANER.....11
 CASE, GEAR.....21
 CASE, STARTER.....7
 CIRCLIP 14.....21
 CIRCLIP 35.....21
 CIRCLIP, PISTON PIN.....5
 CLIP.....9
 CLIP, ROPE.....7
 CLUTCH ASY.....5
 COIL, IGNITION.....5
 CONNECTOR, FUEL CAP.....9
 CONTROL, THROTTLE.....19
 COVER, BLADE.....21
 COVER, CYLINDER.....5
 COVER, DIAPHRAGM.....13, 15
 CRANKCASE KIT.....5
 CRANKSHAFT ASY.....5
 CUSHION, FUEL TANK.....21
 CUTTER.....21
 CYLINDER.....5

D

DIAPHRAGM, METERING.....13, 15
 DIAPHRAGM, PUMP.....13, 15
 DIAPHRAGM/GASKET KIT.....13, 15
 DOWEL PIN.....5
 DRUM, CLUTCH.....21
 DRUM, STARTER.....7

E

E-RING.....7, 13, 15

F

FILTER, AIR.....11
 FLYWHEEL.....5
 FUEL TANK CAP ASY.....9

G

GASKET KIT.....5, 11, 17, 21

GASKET, CRANKCASE.....5
 GASKET, CYLINDER.....5
 GASKET, EXHAUST.....17
 GASKET, FUEL CAP.....9
 GASKET, GEAR HOUSING.....21
 GASKET, INTAKE.....11
 GASKET, METERING.....13, 15
 GASKET, PUMP.....13, 15
 GEAR, SPUR.....21
 GRIP, STARTER.....7
 GROMMET.....5
 GROMMET, FUEL.....9
 GUIDE, EXHAUST.....17

H

HANDLE, FRONT.....19
 HUB, CLUTCH.....5

I

INSULATOR, INTAKE.....11

J

JET.....13

L

LABEL, CAUTION.....19
 LABEL, CAUTION - HOT.....5
 LABEL, CHOKE.....11
 LABEL, i-START.....7
 LABEL, MODEL -- HC-150i.....7
 LABEL, MODEL -- HC-151i.....7
 LEAD, GROUND.....19
 LEAD, IGNITION.....5, 19
 LEVER, METERING.....13, 15
 LID, AIR CLEANER.....11
 LID, GEAR CASE.....21
 LOCKNUT.....19
 LOCKOUT, THROTTLE CONTROL.....19

M

MUFFLER.....17

N

NEEDLE - HIGH SPEED.....15
 NIPPLE, GREASE.....21
 NUT.....21
 NUT 5.....11
 NUT 6.....19, 21
 NUT, CABLE.....13, 15

O

OIL SEAL.....5
 O-RING.....13, 15

P

PAWL, STARTER.....7
 PIN, METERING LEVER.....13, 15
 PIN, PISTON.....5
 PIPE, VENT - 3X5X70mm.....9
 PIPE, FUEL - 3X5X195mm.....9
 PIPE, RETURN - 3X6X110mm.....9
 PISTON KIT.....5

PLATE, CAM.....7
 PLATE, CLUTCH.....5
 PLATE, EYE.....17
 PLATE, PREVENT.....11
 PLUG.....15
 PLUG KIT.....13
 PRIMER BASE ASY.....13, 15
 PUMP, PRIMING.....13, 15

R

REAR HANDLE SET.....19
 REPAIR KIT.....13, 15
 RETAINER, PRIMING PUMP.....13, 15
 RING, PISTON.....5
 ROLLER, GUIDE.....13, 15
 ROPE, STARTER - 3X 800mm.....7
 ROTOR COVER ASY.....13, 15

S

SCREEN, MUFFLER.....17
 SCREW.....7, 17, 21
 SCREW 4X10.....17
 SCREW 4X16.....19
 SCREW 4X8.....5
 SCREW 5X15.....9
 SCREW 5X20.....11
 SCREW 5X30.....21
 SCREW 5X47.....19
 SCREW 5X65.....11
 SCREW, CABLE ADJUST.....13, 15
 SCREW, DIAPHRAGM COVER.....13, 15
 SCREW, METERING LEVER PIN.....13, 15
 SCREW, PRIMER BASE ASY.....13, 15
 SCREW, PRIMING PUMP RETAINER.....13, 15
 SCREW, ROTOR COVER ASY.....13, 15
 SCREW, THROTTLE ADJUST.....13, 15
 SEAL.....21
 SHIELD, EXHAUST.....17
 SHIELD, INTAKE.....11
 SHOE, CLUTCH.....5
 SHORT BLOCK.....5
 SPACER.....9
 SPACER, PISTON PIN.....5
 SPARK PLUG -- BPM-8Y.....5
 SPARK PLUG -- BPMR-8Y.....5
 SPRING ASY.....7
 SPRING PIN 5X25.....19
 SPRING, CLUTCH.....5
 SPRING, METERING LEVER.....13, 15
 SPRING, PAWL RETURN.....7
 SPRING, RETURN.....7
 SPRING, REWIND.....7
 SPRING, THROTTLE RETURN.....19
 STARTER ASY.....7
 STARTER PAWL ASY.....7
 STRAINER.....13, 15
 STRAINER, FUEL.....9
 SUPPORT, CUTTER.....21
 SWITCH, IGNITION.....19
 SWIVEL.....13, 15

T

TANK, FUEL.....9
 TERMINAL, SPARK PLUG CAP.....5
 TUBE.....5



Part Description Index (continued)

V

VALVE, CHECK.....9
VALVE, INLET NEEDLE.....13, 15

W

WASHER.....19, 21
WASHER 5.....17, 19
WASHER 6.....19
WASHER, CLUTCH.....5
WASHER, CONICAL.....17
WRENCH, W/SCREWDRIVER.....21

NOTES



ECHO, INCORPORATED

400 Oakwood Road
Lake Zurich, IL 60047 USA

WWW.ECHO-USA.COM
